



USER MANUAL
Waterproof Compressors

Please read the contents of this manual before using the product.

The content in this manual is applicable to Kleinn's complete line of waterproof compressors.

Part Numbers: **6450RC, 6350RC, 6275RC, 6270RC**

Table of Contents

What's in the Box:	3
Specifications	4
Installation	5
Mounting Hole Pattern.....	5
Compressor Orientation	6
Things to Know – Pre-Installation	7
More Things to Know – Compressor Features	7
Wiring Diagram - Recommended	8
Even More Things to Know – Safety & Maintenance	9
Warranty Information	10

What's in the Box:

Air Compressor:

- 100% Fully Submersible & Waterproof Air Compressor

Mounting Hardware

- M5 Hardware consisting of: Hex Head Bolts (4), Nuts (4), Washers (8), Lock Washers (4)

Accessories

- Air filter housing w/ installed filter element
- Assorted fittings
- Air tubing for remote filter installation (snorkel)
- Leader hose bracket clip
- Replacement air filter elements (2)

Specifications

6450RC

- Fully Waterproof & Submersible
- Compressor Type: Sealed, Oil-less
- Voltage: 12 Volts DC
- Maximum Amperage: 23 Amps
- Duty Cycle @ 72° F (100 PSI): 100%
- Maximum Working Pressure: 200 PSI
- Flow Rate @ 0 PSI (13.8 Volts): 2.0 CFM
- Dimensions: 11.25" L x 4" W x 6.5" H

6275RC

- Fully Waterproof & Submersible
- Compressor Type: Sealed, Oil-less
- Voltage: 12 Volts DC
- Maximum Amperage: 20 Amps
- Duty Cycle @ 72° F (100 PSI): 50%
- Maximum Working Pressure: 150 PSI
- Flow Rate @ 0 PSI (13.8 Volts): 1.7 CFM
- Dimensions: 8.25" L x 4" W x 6.5" H

6350RC

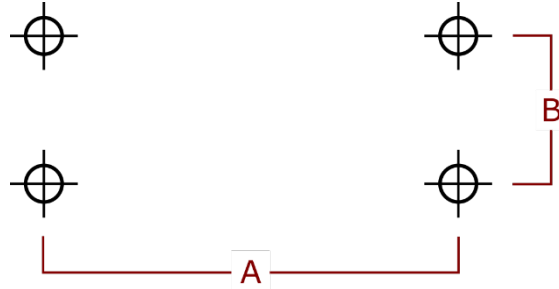
- Fully Waterproof & Submersible
- Compressor Type: Sealed, Oil-less
- Voltage: 12 Volts DC
- Maximum Amperage: 21 Amps
- Duty Cycle @ 72° F (100 PSI): 100%
- Maximum Working Pressure: 150 PSI
- Flow Rate @ 0 PSI (13.8 Volts): 2.0 CFM
- Dimensions: 9.25" L x 4" W x 6.5" H

6270RC

- Fully Waterproof & Submersible
- Compressor Type: Sealed, Oil-less
- Voltage: 12 Volts DC
- Maximum Amperage: 20 Amps
- Duty Cycle @ 72° F (100 PSI): 25%
- Maximum Working Pressure: 150 PSI
- Flow Rate @ 0 PSI (13.8 Volts): 1.9 CFM
- Dimensions: 6.4" L x 3.5" W x 4.6" H

Installation

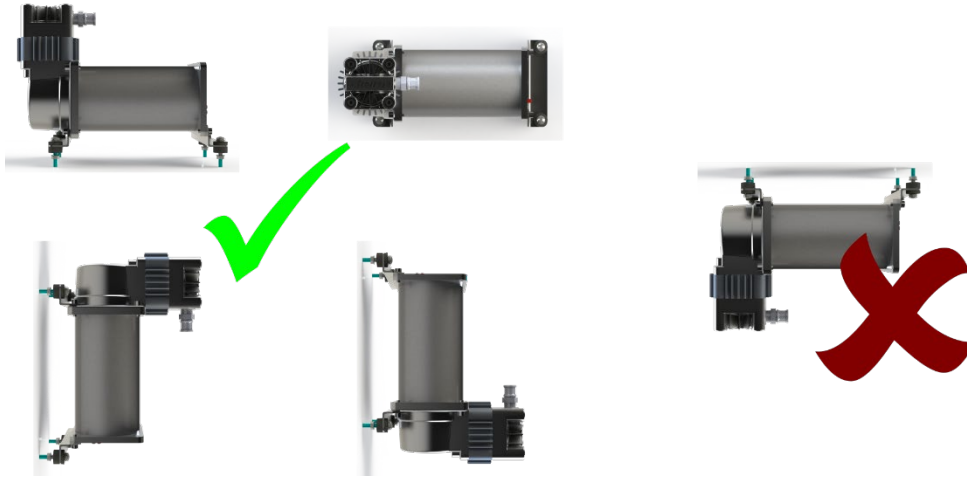
Mounting Hole Pattern



Compressor P/N:	A		B	
6450RC	226mm	8.90"	84mm 3.31"	
6350RC	186mm	7.32"		
6275RC	156mm	6.14"		
6270RC	146mm	5.75"	70mm	2.76"

Hole Size is 5mm Diameter

Compressor Orientation



While the air compressor can be mounted in any position, Kleinn **DOES NOT** recommend mounting upside down as this may cause overheating & efficiency loss.

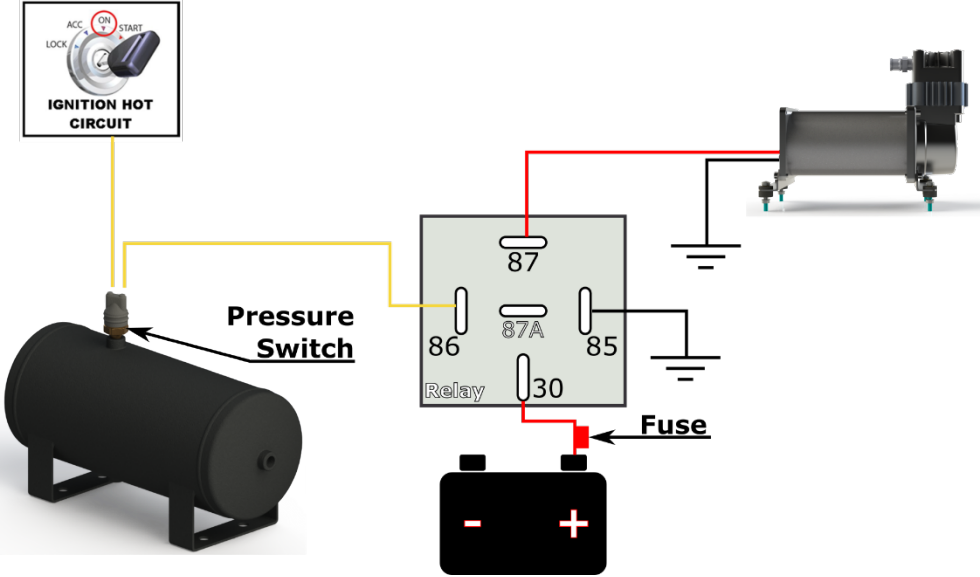
Things to Know – Pre-Installation

- To maximize performance, have the red power wire be as short as possible & use a larger gauge wire (12 ga, minimum) to minimize voltage loss over the wiring.
- Use a solid ground connection to minimize increased current draw from resistance of the ground wire.
- The compressor stainless steel braided line, includes a built-in check valve. It is not recommended to remove this leader hose.
- It is recommended to fuse the power circuit for the compressor & to locate the fuse as close to the battery as possible.
- It is recommended to use a “switched” power source that triggers a relay to turn the compressor on/off via a pressure switch.
- Use a pressure switch that is rated for your compressors working pressure.

More Things to Know – Compressor Features

- These compressors are designed to be used to pressurize an air tank, which can then be the primary supply for air horns, tire inflation, air bags & certain air tools.
- Compressors are equipped with a thermal overload protection circuit, which will protect the compressor from damage due to overheating. This protection circuit will automatically reset after approx. 30 minutes of inactivity.
- To prevent over-discharge of your vehicle’s battery & to provide optimal compressor performance, keep your vehicle’s engine running while the compressor is operating.

Wiring Diagram - Recommended



Even More Things to Know – Safety & Maintenance

- **DO NOT** touch the compressor, stainless steel hose, or fittings during or immediately after use. The compressor, leader hose, & fittings may become **VERY HOT** at this time.
- **DO NOT** lubricate the compressor using any oil or lubricant.
- Examine & replace the air filter element as needed.
- Periodically check the compressor mounting hardware & tighten as needed.
- It is recommended to keep the compressor body & heat sink fins clean to maintain passive cooling efficiency.
- The compressor is considered non-repairable. Disassembly of the compressor may void your warranty.

Warranty Information

KLEINN MANUFACTURER LIMITED DEFECT WARRANTY:

Kleinn Automotive Accessories warrants this product to the end-user, when properly installed and under normal conditions of use, to be free from defects in workmanship and materials for a period of one year from the provided date of purchase to the original purchaser of the product. This warranty does not cover abuse, operation in a manner inconsistent with the product's design, or damage resulting from exposure to the elements. If the defect is considered "under warranty", Kleinn will, at its discretion, repair or replace the product free of charge to the original purchaser. Kleinn is not liable for any installation charges, loss or damage of any kind incurred in the replacement or repair of any warranted product.